

Tournesol Bins and Recyclers



Materials: FRP Fiberglass

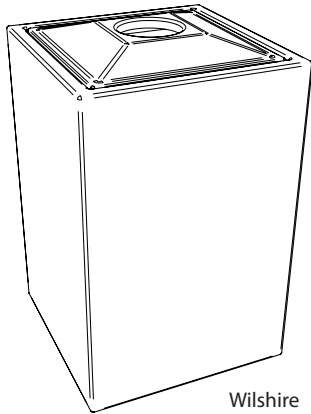
Tournesol's trash receptacles are designed to stand on their own or be used in conjunction with a matching Wilshire Collection planter. Wilshire designs are available in FRP fiberglass for classic durability, and we have practical solutions for your outdoor commercial or public spaces.



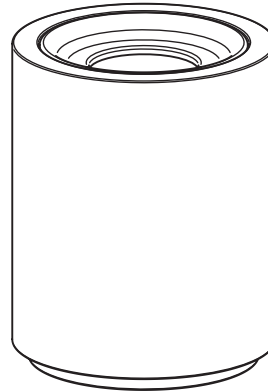
- Tournesol receptacles and recyclers are available in many color finishes to match your project
- All trash cans include 20- or 23-gallon removable plastic liners
- Available in matching single, double, or triple-stream recyclers
- Wilshire Collection recyclers have various lid options

Tournesol Receptacles - Trash Bins & Recyclers

Part. No.	Collection	Material	Shape	Description
WR-TFF	Wilshire	FRP	Square	22" Sq x 34.5"H, FRP Trash Receptacle w/23 gal. LLDPE liner
WS-TFR	Wilshire	FRP	Round	24" dia x 30"H, FRP Trash Receptacle w/20 gal. LLDPE liner



Wilshire
WR-TFF



Wilshire
WS-TFR



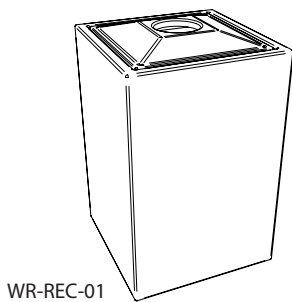
Left: Tournesol Wilshire Recycler, FRP, 2-Stream Lid in Shark Above: Tournesol Wilshire Recycler, FRP, 2-Stream Lid

Our Wilshire Collection recycling systems are designed to be used on their own, or in conjunction with the matching line of planters. They are available as 1-, 2- or 3-stream recyclers. Each stream is collected in an independent 23 gallon rigid LLD Polyethylene bin. The lids are slightly crowned to discourage leaving materials stacked on the recycler. The lids are secured with durable piano hinges, and swing away easily for emptying. Three standard openings are available, depending upon the waste stream indicated. In addition to the waterproof bins, the entire recycler is waterproof to prevent leaks and spills.

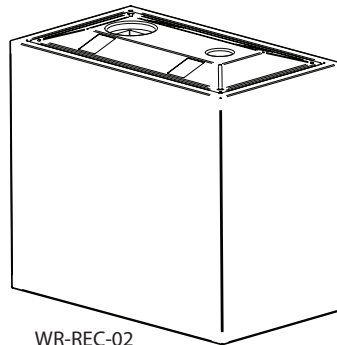
Tournesol Recycling Systems - Wilshire Collection

Part. No.	Collection	Material	Shape	Lid Configuration	Description
WR-REC-01	Wilshire	FRP	Square	FRP 1-Stream Lid	22"L x 22"W x 33"H, FRP Recycler
WR-REC-02	Wilshire	FRP	Rectangle	FRP 2-Stream Lid	38"L x 22"W x 33"H, FRP Recycler
WR-REC-03	Wilshire	FRP	Rectangle	FRP 3-Stream Lid	54"L x 22"W x 33"H, FRP Recycler

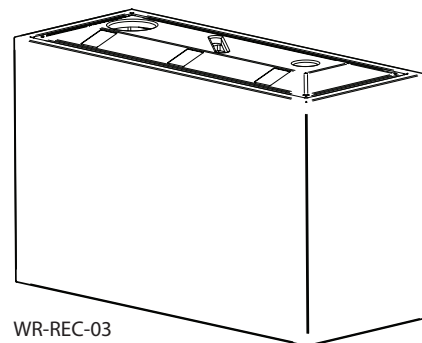
Note: Choose your recycling system openings for the lids - available for trash/plastic & glass (6 1/4" hole), paper slot (9 1/2" x 1 1/2" angled), or drink cans (3 1/4" hole). Each opening features two laser cut stainless labels. Specify openings and labels at time of order.



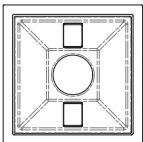
WR-REC-01



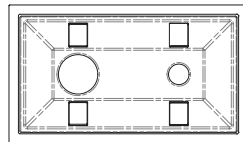
WR-REC-02



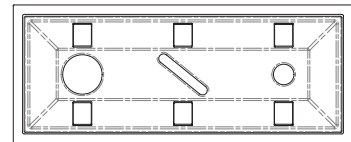
WR-REC-03



FRP 1-Stream Top - shown with 6 1/4" opening for trash/plastic & glass



FRP 2-Stream Top - shown with 6 1/4" opening for trash/plastic & glass; 3 1/4" opening for drink cans



FRP 3-Stream Top - shown with 6 1/4" opening for trash/plastic & glass, 9 1/2" x 1 1/2" for paper slot, and 3 1/4" for drink cans